

READ THIS FIRST READ THIS FIRST READ THIS FIRST
READ THIS FIRST READ THIS FIRST READ THIS FIRST

SCREW INSTALLATION

Your new VIBROCUBE has been delivered with the paddles unattached to prevent breakage during shipping. When attaching the paddles **DO NOT OVERTIGHTEN** the small front screw on each paddle. The thin edge of the acrylic paddle can crack. Turn this screw until it stops, then give a slight turn more to tighten only.

The small screw is used to center the paddle – the larger screw is used to physically hold the paddle in place on the lever bar – it is OK to tighten the larger screw to hold the paddle securely.

THANK YOU!

READ THIS FIRST READ THIS FIRST READ THIS FIRST
READ THIS FIRST READ THIS FIRST READ THIS FIRST



VIBROPLEX®

"the oldest name in amateur radio"

VIBROCUBE

Your VIBROCUBE is delivered ready to be connected to a cable and your HF transceiver.

The red finger paddles have been left uninstalled. The installation screws are already installed in the lever bars. Remove the screws, then attach a paddle to each lever bar. Acrylic paddles are shipped uninstalled to prevent breakage during shipping transit.

Lower trunion screws. The tension on the lever bars is determined by the tightness of two screws that are accessible with a long flat head screwdriver through the base bottom. You must loosen the two screws that are on the back of the mainframe (part #18 on diagram) before adjusting #19 screws.

Contact post assemblies. These are built with the contact pressed in and the contact screw cannot be pulled all the way back through the post without removal of the contact. To adjust, loosen the locknut (#12) and move contact post screw in and out. Tighten locknut to hold in place.

Contact slide assemblies. Part #8 has the #10 contact installed. By loosening screw #9, the contact slide can be adjusted to line up with the contact in the contact post screw.

Spring tension. By loosening or tightening with or both of the dot/dash tension screws (#11) you can increase or decrease the spring tension. This will have a more smooth or 'snappy' return. There is no 'correct' setting – it is according to personal preference.

Accessories – VIBROPLEX stocks dust covers, cables and many other items. VIBROPLEX, 1001 N Broadway St, Knoxville, TN 37917 USA (865) 309-5073 www.vibroplex.com

VIBROCUBE

Parts List

Part Number	Part Name	Price	Qty	Amount	Part Number	Part Name	Price	Qty	
VC1	4025 Thumb Piece-Red	9.00	___	___	VC21	8012 Binding Post Collar	4.00	___	
VC2	6002 Large Paddle Screw	1.50	___	___	VC22	8011 Binding Post Nut	4.00	___	
VC3	4026 Small Paddle Screw	1.50	___	___	VC23	8020 Rubber Feet (each)	2.00	___	
VC4	6025 Lever Bar - left side	26.00	___	___	VC24	8021 Rubber Foot Screw	1.50	___	
VC4A	6025 Lever Bar - right side	26.00	___	___	VC25	8035 Nylon Insulator	1.50	___	
VC5	4015 Deluxe Trunion Pin	8.00	___	___	VC26	8051 Contact post screw	1.50	___	
VC5A	6030 Std Trunion Pin	6.00	___	___	VC27	7075 Black Base	50.00	___	
VC6	4021 Tension Spring	4.00	___	___	VC29	8050 Binding Post Collar Screw	1.50	___	
VC7	4013 Contact Slide Washer	2.00	___	___	VC30	8005 Contact Strip 1 5/16"	3.00	___	
VC8	4008 Contact Slide	4.00	___	___	VC31	8027 Mainframe Screw	1.50	___	
VC9	4014 Contact Slide Screw	1.50	___	___	VC32	8013 Nylon Screw Washer	1.50	___	
VC10	4009 Silver Contact Point (See Note #2)	5.00	___	___	VC34	8028 Rear Binding Post Screw	1.50	___	
VC11	1012 Dot/Dash Tension Screw	4.00	___	___	ASSEMBLIES				
VC12	1013 Locknuts	4.00	___	___	VCA	408.1 Complete contact slide includes VC8 & VC10	9.00	___	
VC13	4010 Contact Screw	4.00	___	___	VCB	315 Del Lever for left side includes VC4 & VC5	38.00	___	
VC14	4011 Short Contact Post	8.00	___	___	VCBA	314 Std Lever for left side includes VC4 & VC5A	38.00	___	
VC15	1999A Mainframe	40.00	___	___	VCBB	316 Del Lever for right side includes VC4A & VC5	38.00	___	
VC16	8018 Red Decor. Top Pc.	5.00	___	___	VCBD	317 Std Lever for right side includes VC4A & VC5A	38.00	___	
VC17	1004 Upper trunion screw w/ Jewel (Upgraded)	11.00	___	___	VCC	406 Contact post includes VC10,VC12,VC13 & VC14	26.00	___	
VC17A	1003 Upper trunion screw w/o jewel (Std)	5.00	___	___	CP3	Cord and Plug - 3 Plug (1/4" or 3.5mm-circle)	9.95	___	
VC18	1005 Trunion Lock Screw	1.50	___	___				Subtotal	___
VC19	1002 Lower Trunion Screw w/ Jewel	11.00	___	___				Shipping and Handling (See Note #5)	___
VC19A	1001 Lower Trunion Screw w/o Jewel	5.00	___	___				Total Amount Enclosed	___

ORDERING INFORMATION

(Call)

(Date)

(Name)

(Street)

(Telephone)

(City) (State) (Zip)

PAYMENT METHOD

- _____
Check/Money Order

Credit Card (Visa, Mastercard, Discover)

_____ Exp. Date: _____

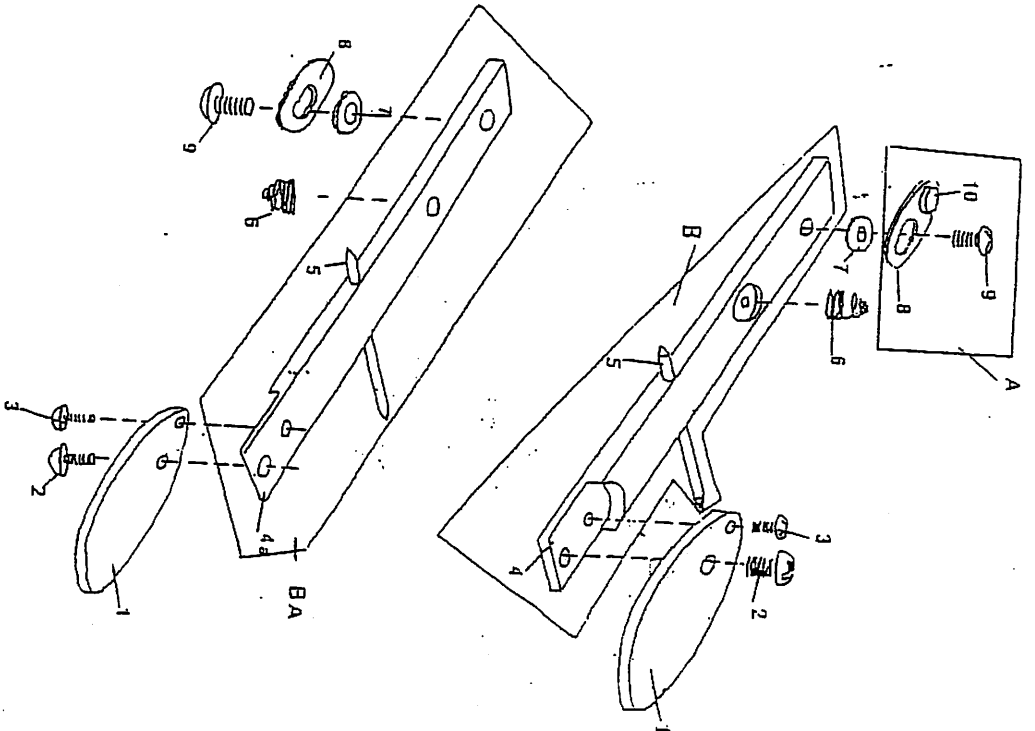
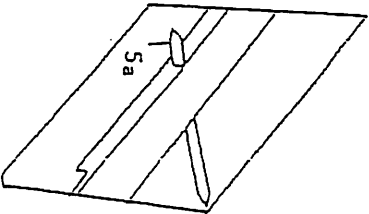
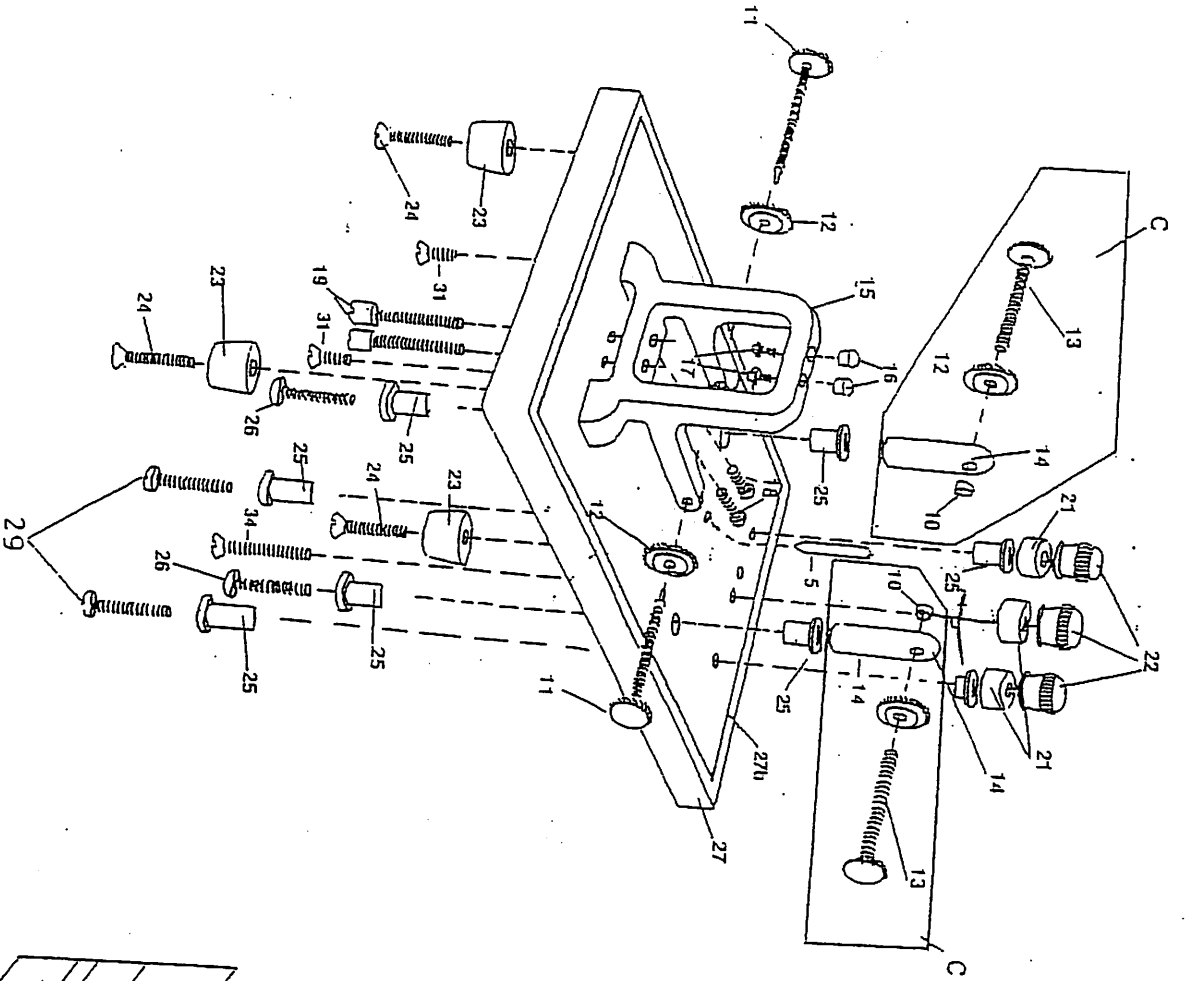
NOTES

1. Please supply complete street address or post office box and zip code.
2. If you need new contact points, please refer to our Contact Replacement Service at www.vibroplex.com.
3. Please be sure that the form is legible and completely filled out. We cannot process orders that we cannot read.
4. If possible, include a day time phone number where you can be reached. Should a problem occur we can contact you.
5. Small parts minimum for USA shipping is \$4.08, Canada \$10.05, International \$13.82

(Signature)

(Email Address)

VIBROCUBE



NOTE: TRUNION PIN-USE 5a
FOR STANDARD MODEL ONLY